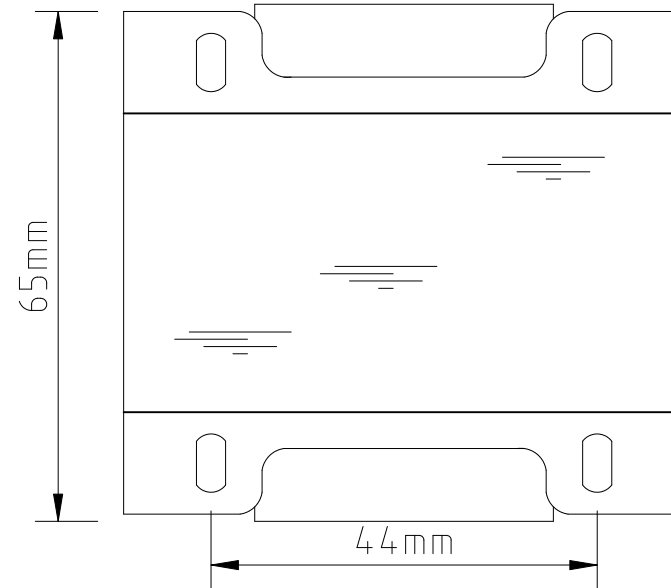
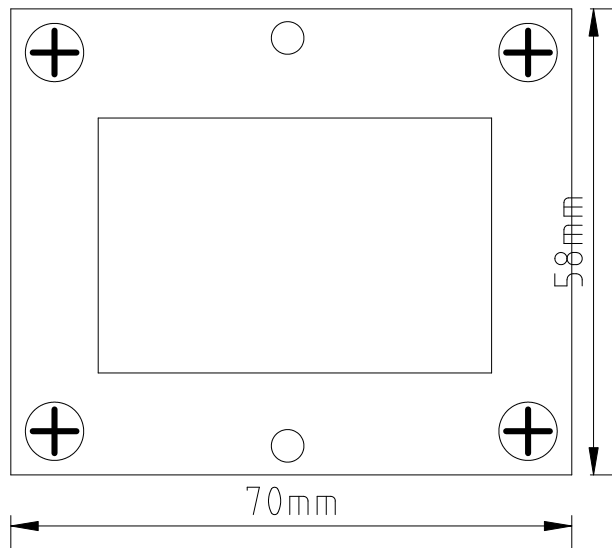
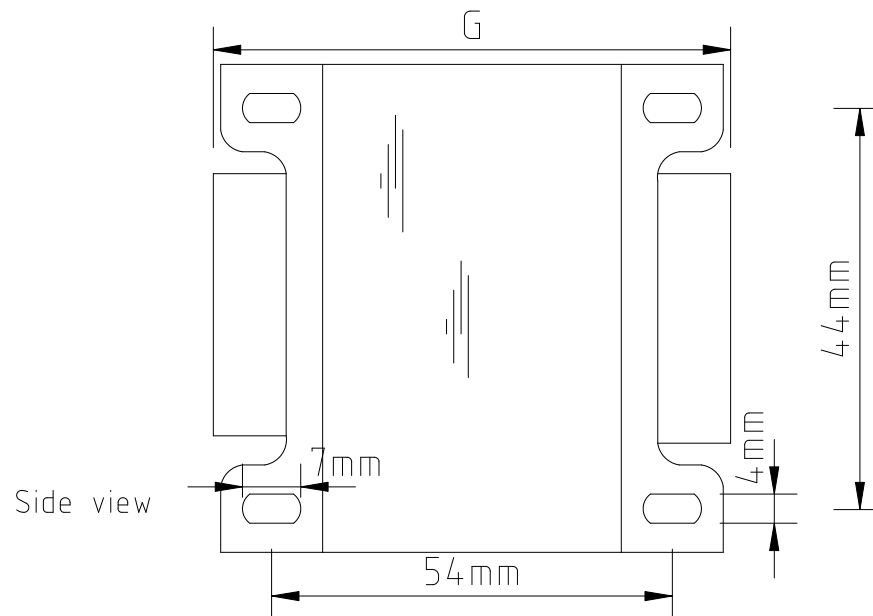


Front or rear view



Top or bottom view



Side view

Owner	Project	Revision 1.0
Primary Windings	Part	Page No. 1 of 1
	066044F	Drawn by J.Wilkinson
Scale	Date 09/05/2019	Accepted