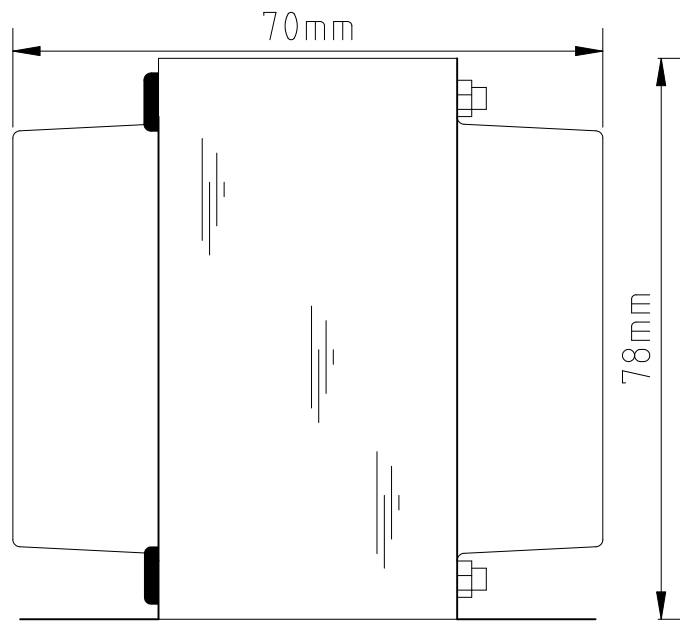
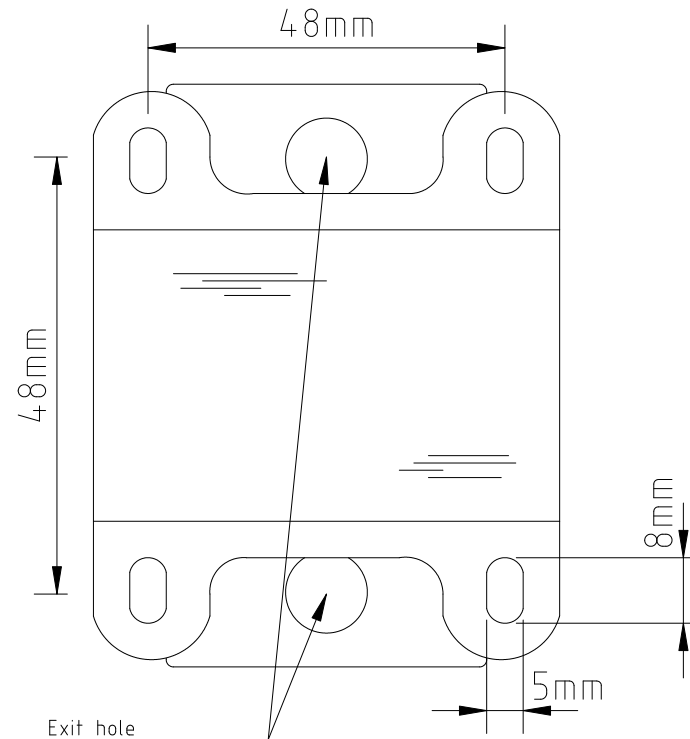


Front view



Side view



Exit hole
Grommets
1 shown either side.
May be 2 either side
dependant on size.

Underside view

Owner	Project	Revision
Primary Windings	Part 029100SU	1.0
		Page No. 1 of 1
		Drawn by J.Wilkinson
Scale	Date 06/05/2019	Accepted