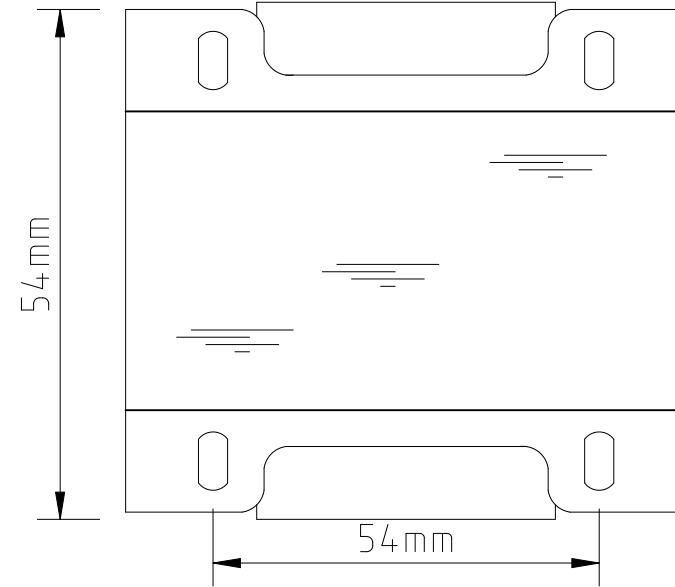
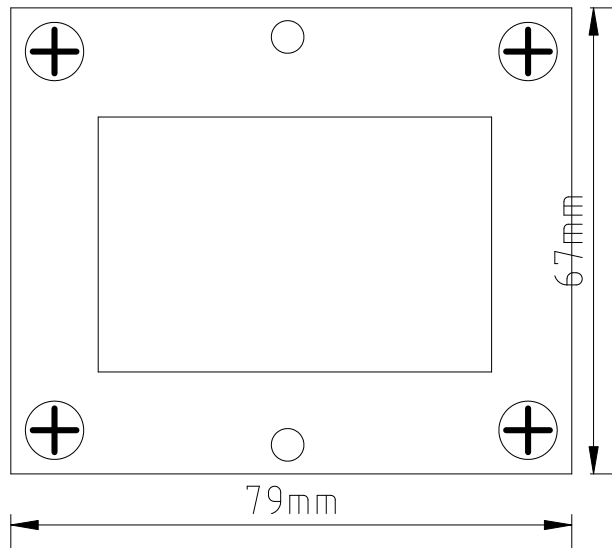
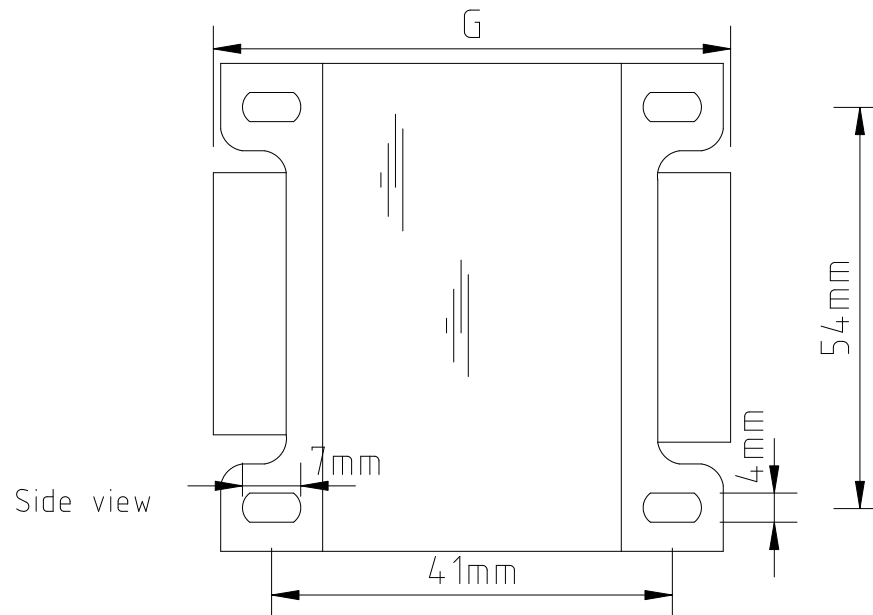


Front or rear view



Top or bottom view



Side view

| | | |
|------------------|--------------------|-------------------------|
| Owner | Project | Revision 1.0 |
| Primary Windings | Part | Page No. 1 of 1 |
| | 029100F | Drawn by J.Wilkinson |
| Scale | Date 09/05/2019 | Accepted |